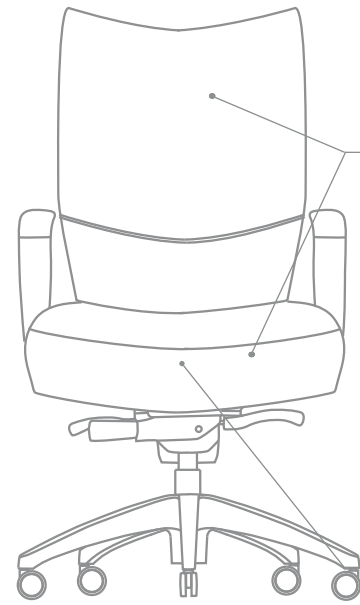


FEATURES



RATCHET BACK HEIGHT ADJUSTMENT

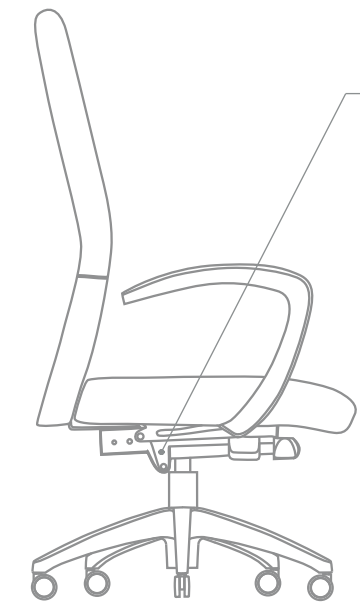
HIGH RESILIENT MOLDED FOAM used on every seat and back, with a detailed upholstered treatment.

ARM OPTIONS

A6 and A7 arms feature Ura-Soft® pivoting arm pads that also slide forward and back for greatest comfort, along with locking height adjustment. A7 models add 4" arm width adjustment. Several fixed conference arm styles are available as well as adjustable height "T" arms.

WATERFALL SEAT FRONT

promotes circulation and good health.



FIVE CONTROL CHOICES,

including swivel-tilt and multi-function units. Weight capacity: 250lbs.

HIGH PROFILE BASE

features a reinforced inner structure for durability.

OPTIONAL SEAT SLIDER

adjusts seat depth.



bristol

SEAMLESS INTEGRATION AND
SUPPORT FOR YOUR WORKFLOW.

9to5[®]
seating

9to5[®]
seating

3211 Jack Northrop Ave.
Hawthorne, CA 90250

PHONE

888.925.SEAT

FAX

866.925.SEAT

EMAIL

sales@9to5seating.com

9to5seating.com



CHOOSE FROM OVER 1,000 TEXTILES

offered by Momentum, Designtex, 9 to 5 Signature® and the Symphony Collection. In the rare case we don't have what you're looking for, we'll upholster your chair in any fabric provided to us!

LIFETIME WARRANTY

on all structural and mechanical components. Mesh, fabric and foam are warranted against wear through and deterioration for five years.

QUICK SHIP!

Bristol ships in 48 hours in select quickship fabrics and a wide selection of leathers.





a.



c.



d.



e.



b.



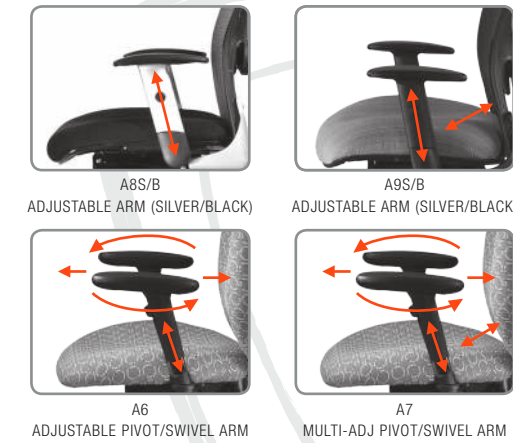
f.

STATEMENT OF LINE

	MID-BACK 2360	HIGH-BACK 2380	STOOL 2366/2368
OVERALL WIDTH	25.0	25.0	25.0
OVERALL DEPTH	26.0	26.0	26.0
OVERALL HEIGHT	39.0 - 46.0	42.0 - 49.0	48.5 - 61.5 (44.5 - 55.0)
SEAT WIDTH	20.0	20.0	20.0
SEAT DEPTH	19.0	19.0	19.0
SEAT HEIGHT	18.5 - 22.5	18.5 - 22.5	28.0 - 38.0 (24.0 - 32.0)
BACK WIDTH	20.0	20.0	20.0
BACK HEIGHT	19.0 - 21.5	23.0 - 25.5	19.0 - 21.5
COM	1.4 yds	1.5 yds	1.4 yds
WEIGHT	39.0 lbs	40.0 lbs	43.0 lbs

All dimensions are in inches

ADJUSTABLE ARM OPTIONS



FIXED ARM OPTIONS



ADJUSTABLE BACK HEIGHT

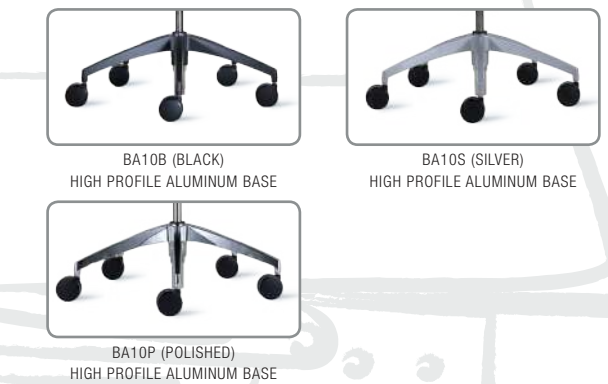


Allows users to easily set back height for best comfort.

TOP-GRAIN LEATHER



BASES



CONTROL AVAILABILITY

	S2	R1	M1	Y2	P1
2360/2370	•	•	•	•	
2380/2390	•	•	•	•	
2366/2376					•
2368/2378					•

a. 2380-Y2-A10-L40 b. 2360-Y2-A8B-L42 c. 2366-P1-A8B d. 2380-S2-A8S-BA10S e. 2360-Y2-A6-L42 f. 2360-Y2-A10